

Flue gas ejector for self recuperative burner ECOMAX®

Product brochure · GB
Edition 04.09



- For flue gas return through the burner in direct and indirect heating equipment
- High efficiency owing to optimised geometry
- Long service life thanks to solid steel construction
- Easy installation thanks to flange connections and stud bolts on the burner
- Extraction of flue gas from the furnace through optional flue gas valve protects the burner against overheating

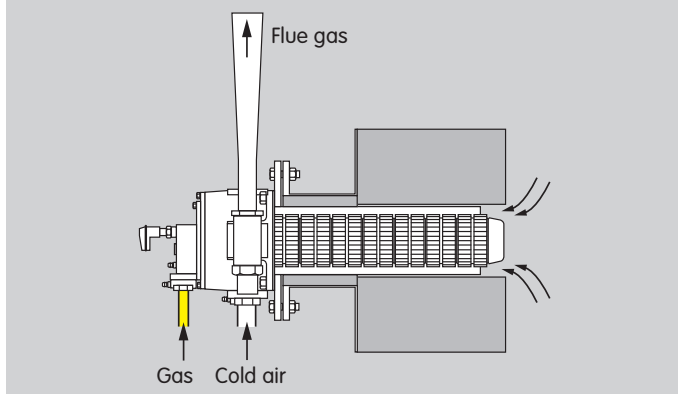


Application

For use in conjunction with self recuperative burners ECOMAX® in industrial furnaces and firing systems in the iron and steel industry and in the non-ferrous metal industry.

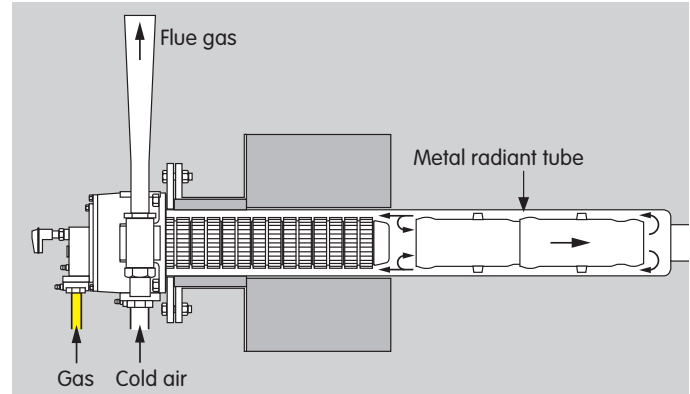
Ejector in direct heating systems

The ejector generates a vacuum with a centrally positioned nozzle and thus draws the flue gases out of the furnace chamber through the burner's heat exchanger.



Ejector on burners with metal single-ended radiant tubes

The ejector ensures negative pressure in the radiant tube. This prevents the inert gas atmosphere in the furnace being contaminated by flue gases from the burner in the event of leakage from the single-ended radiant tube.



Technical data

Material:
steel (high temperature version partly stainless steel)

Selection

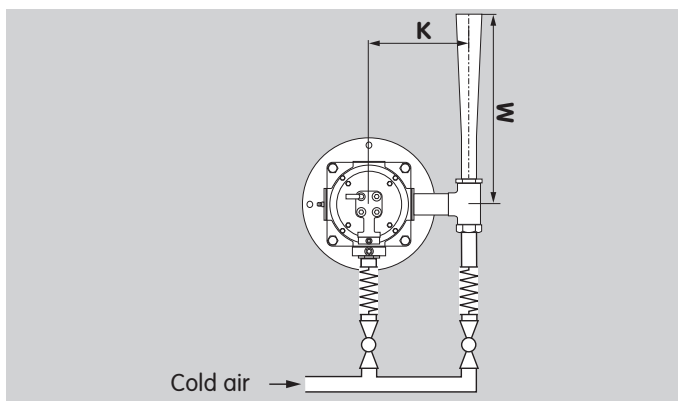
	S	Z*	-K269	-K283	-K292	-K353	-K345	-K530	-Kxxx*	-M625	-M810	-M820	-M920	-M1117	-Mzzz*	-H	-V	-AGK	-HT	-Z
Ejector Eco 0	●	○	●						○	●					○			○	○	○
Ejector Eco 1	●	○	●						○	●					○	●	●	○	○	○
Ejector Eco 2	●	○		●					○	●					○	●	●	○	○	○
Ejector Eco 3	●	○			●				○		●				○			○	○	○
Ejector Eco 4	●	○				●			○			●			○			○	○	○
Ejector Eco 5	●	○					●		○				●		○			○	○	○
Ejector Eco 6	●	○						●	○					●	○			○	○	○

* Special dimensions on request.

● = standard, ○ = available

Order example

Ejector Eco 1S-K269-M625-H-AGK



Type code

Code	Description
Ejector	Ejector for ECOMAX®
Eco 0 to Eco 6	Size
S	Standard dimensions
Z	Special dimensions
-K269 bis -K530	Axis spacing K (mm): 269 to 530
-Kxxx	Special dimension
-M625 bis -M1177	Height M (mm): 625 to 1177
-Mzzz	Special dimension
-H	Burner installation position: Horizontal
-V	Vertical
-AGK	With flue gas valve
-HT	High temperature version
-Z	Special version

Detailed information on this product

www.lbe-online.de

Contact

www.lbe-online.de → Contact

Elster GmbH
Geschäftssegment LBE
Postfach 22 03 27
42373 Wuppertal
Deutschland

T +49 202 60908-0
F +49 202 60908-20
info@lbe-online.de

www.lbe-online.de
www.kromschroeder.de

LBE, a product
brand of the Elster Group



We reserve the right to make technical modifications in the interests of progress.

Copyright © 2007 Elster Group
All rights reserved.